

Eric Monrad, Luthier

7566 Eastside Road, Healdsburg, CA 95448

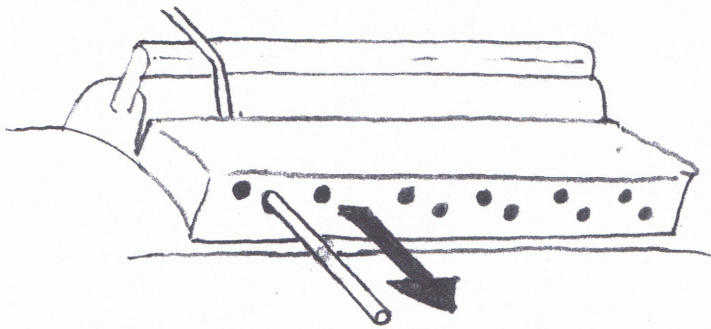
(707) 838-7823 (707) 838-7241 (fax)

4/09

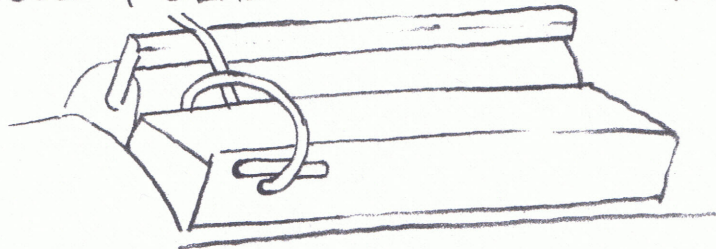
## STRING PROCEDURE @ 12 HOLE BRIDGE

NOTE: THE FOLLOWING PROCEDURE DOES NOT INCLUDE BURNING A 'BALL' ONTO THE END OF THE TREBLE STRINGS; THIS NECESSITATES CHECKING THE STRINGS AT THE TIE BLOCK FREQUENTLY WHILE BRINGING UP TO TENSION.

- 1) INSERT BRIDGE END OF STRING IN 'PRIMARY' HOLE



- 2) RETURN STRING OVER TIE BLOCK AND INSERT INTO 'SECONDARY' HOLE & BEND STRING END UNDER ITSELF



- 3) PULL STRING TIGHT - NOTE DIFFERENCE AT TREBLES

(SEE NEXT PAGE)

Eric Monrad *Luthier*

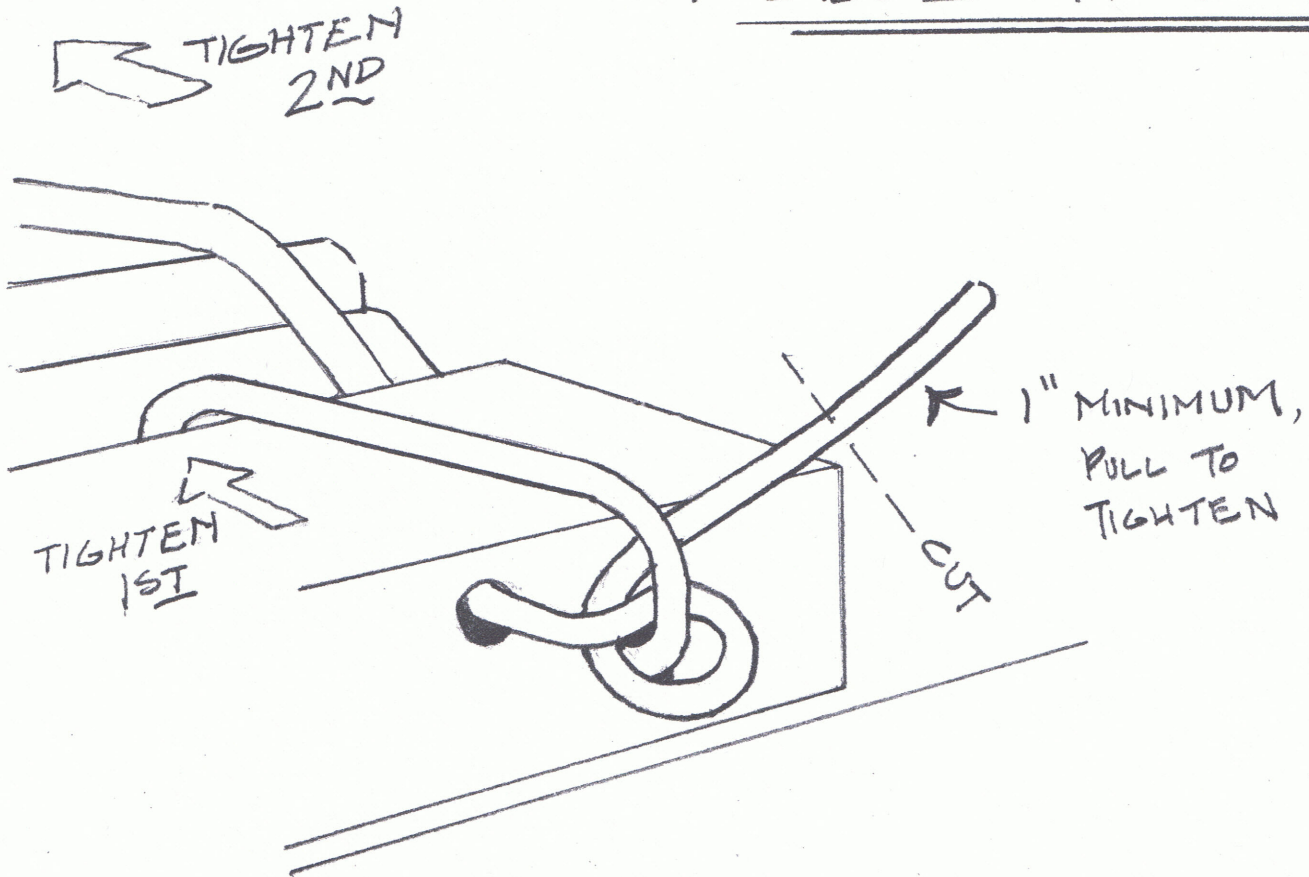
7566 Eastside Road, Healdsburg, CA 95448

(707) 838-7823 (707) 838-7241 (fax)

www.monradguitars.com

monradguitars@aol.com

## TREBLE KNOT 1/09



\* NOTE: TREBLES BEGIN THE SAME AS BASSES  
BUT LOOP AROUND & UNDER ONE MORE TIME